

RXMUX-88-108-4

4-port multicoupler with internal L.N.A. and preselector

FM Radio 87.5-108 MHz



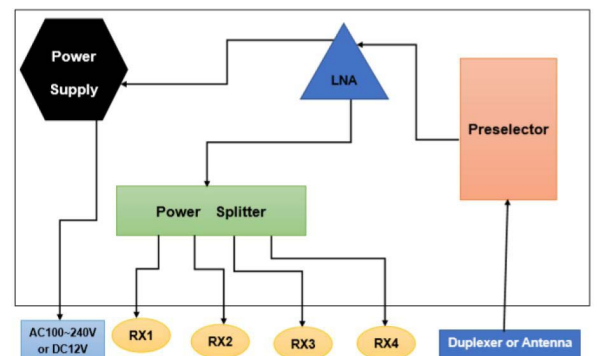
The RXMUX-88-108-4 4-port receive multicoupler combines the input of a single external antenna or duplexer via an internal preselector and boosts the signal via an internal Low Noise Amplifier (L.N.A.). The signal is then split via an internal power splitter to 4 external receiver ports.

External antennas, coaxial cable, adaptors, connectors and other installation accessories are all available separately.

Construction	Black powdercoated outer case with handles, external terminations and power port
Frequency range	FM Radio 87.5-108 MHz
Bandwidth	Full frequency range stated - 20.5 MHz
RX Ports	4 - N-type female
Ant Ports	1 - N-type female
Port gain	12dB - +30dB available on request
Rx-Rx Port Isolation	>20dB
VSWR	<1.5:1
Impedance	50 Ohms
Noise figure	<2dB
Max. Input power	-10dBm
Power supply specify	- 12V DC via phoenix termination - 100~240V AC with 3-pin detachble power lead
Operating temp.	-30°C to +60°C
Weight	5.5kg
Dimensions specify RU	19" 1RU Case: H: 44mm, W: 483mm, D: 300mm 19" 2RU Case: H: 88mm, W: 483mm, D: 300mm
Rack dimensions	Standard 19" rack, either 1RU or 2RU sizing - specify



RXMUX-88-108-4 with Pheonix 24V power configuration



Internal component map.



3-pin Phoenix termination, specify if required



3-pin detachable 220V termination, specify if required